

TERMOFOR®

SIBERIAN STOVES, HEATERS AND FIREPLACES

P I C H U G A

INOX
scale resistance
1650°F
Chromium 18%

Portable Convectional, Heating and Cooking Wood Burning Stove



- The portable convectional wood burning stove PICHUGA is designed for heating of tents, cabin, bungalows etc. and for cooking during the temporarily stay. The small weight and dimensions allow easy transportation of the stove and installation in any accessible place. The stove is easily placed in any ordinary backpack or travel bag.
- The stove PICHUGA was specifically designed for mobile saunas. It differs from all existing portable stoves that it is equipped with built-in spark arrestor, which catches the sparks flying from the firebox to the flue. It protects the tent roof and walls from the burning-out. The Built-in Sparks Catcher is installed in the rear part of the stove.
- The stones, which are used to efficiently evaporate water and produce dry superheated steam ("light steam"), are laid on the upper surface of the stove. The upper surface of the stove can be used for Cooking or Food Warming, too; it seats fire-proof or heat-resistant pans of 6" (150 mm) in diameter.
- The stove is made of valuable heat-resistant high-alloy stainless steel, consisting not less than 18% of chromium. The temperature of the scaling beginning for this steel is not less than 1650°F (900°C). The use of this stainless steel allows significantly reducing the weight without any losses of lifetime and increasing the efficiency of the appliance.
- Heating surfaces of the stove are covered with an External Shroud - Convection, which greatly accelerates the heating of the ambient space under formation of the powerful convectional stream. And even more, the Shroud - Convection reflects a hard infrared radiation from hot walls of the firebox, what creates a very soft convectional heating and greatly increases the safety while operating.
- This stove is designed to burn natural wood. It is possible to burn pellets, wood and peat briquettes, and charcoal. It is strictly forbidden to use coal as a fuel.

Dimensions transportation	Width	9.1" (230 mm)
	Depth	21.7" (550 mm)
	Height	15.8" (400 mm)
Operation dimensions	Width	13.4" (340 mm)
	Depth	21.7" (550 mm)
	Height	22.4" (570 mm)
Weight, with packaging		29.3 lb. (13.3 kg)
Weight, without packaging		28.7 lb. (13 kg)
Flue size		3.15" (80 mm)
Flue pipe height (each)		1.1 ft (335 mm)
Number of flue pipes (included)		6 pcs

CINDERELLA

Portable Heating and Cooking Long-Term, Economical, Wood Burning Stoves



- The CINDERELLA is designed for economical long-term air heating of cabin, bungalows, facilities etc. The small weight and dimensions allows easy transportation of the stove and installation in any accessible place.
- The cooking surface allows cooking on the surface or even over an open fire in pans of various sizes. You can load fuel from the top too, or clean the upper part of the stove if needed.
- The Firebox is made of constructional steel, 0.12" (3 mm) thick. Thanks to this stove walls get hot quickly and quickly begin to warm the heated area. The grate is made of massive cast iron and is designed to force the burning process and get a powerful high-temperature flame.
- Side surfaces of the stove are covered with Convection Panels. Convection Panels on the sides of the stove reflect hard infrared radiation from the firebox and greatly accelerate the heating of the ambient space.
- In the Firebox Door there is a Glass Screen of fire-proof glass "Schott Robax", which allows visual monitoring of the combustion. The Pull-out Ash Drawer.
- This stove is designed to burn natural wood. It is possible to temporarily burn pellets, wood and peat briquettes, charcoal.

Heated space, up to	1750 cu.ft. (50 cu.m)
Max power	13700 BTU/h (4 kW)
Width x Depth x Height	11.8" x 18.3" x 15.9"
Weight	48.5 lb. (22 kg)
Door size (diameter)	7.1" (180 mm)
Firebox volume	1.1 cu. ft. (30 l)
Fuel capacity	0.8 cu. ft. (22 l)
Maximum log length	15" (390 mm)
Flue size	3.15" (80 mm)
Flue height, minimum	10 ft (3 m)
Area of stove's heating surfaces, total	8.1 sq.ft. (0.75 sq.m.)

CINDERELLA TEG

Electricity Generating, Long-Term, Economical, Heating and Cooking Wood Burning Stove



- The stove CINDERELLA TEG is designed for economical heating, generation of the electric power, cooking and food warming. The stove is very useful especially in emergency situations (wildlife, low temperatures, disasters etc.) and is interesting for fishermen, hunters, tourist, travelers, rescuers and other people, who will need temporarily heat and energy resources.
- During the process of heating or cooking, which are the primary purposes of the stove, it generates the direct current of 12 volts and power not less than 25 watts. The electricity generators enter stable operation mode 12 – 15 minutes after fire starts. During burning thermoelectric generators produce electricity, which is transferred to the control block and then to the external clamp outlets. The electricity could be stored in a battery.
- The thermoelectric generators supply enough energy to light an energy-efficient bulb, charge a notebook, a cell phone, an iPod or Reader, a camera or watch a portable TV or radio. It's not very much – but in emergency situations it will allow you to use most portable devices you have used before. You may want to keep it safe in your backyard, just in case.
- The firebox is made of construction steel, 0.12” (3 mm) thick.
- Side walls of the stove are covered by convection panels, which greatly accelerate the heating of the ambient space under formation of the powerful convectional stream. Convection panels reflect a hard infrared radiation from hot walls of the firebox, what creates a very soft convectional heating and greatly increases the safety while operating.
- The Firebox door there has a heat resistant glass window “Schott Robax” and a handle for convenient carrying the stove.
- This stove is designed to burn natural wood. It is possible to burn pellets, wood and peat briquettes, and charcoal. It is strictly forbidden to use coal as a fuel.

Heated space, up to	1700 cu.ft. (50 cu.m)
Max power	13700 BTU/h (4 kW)
Exterior Dimensions Width x Depth x Height	11.8" x 25" x 15.9"
Weight	67 lb. (30.5 kg)
Door size (diameter)	7" (180 mm)
Firebox volume	1.06 cu. ft. (30 l)
Fuel capacity	0.78 cu. ft. (22 l)
Flue size	3.15" (80 mm)
Flue height, minimum	10 ft (3 m)
Maximum log length	14.5" (370 mm)
Area of stove's heating surfaces, total	8.1 sq.ft. (0.75 sq.m.)
Output power /voltage	25W / 12V

DOUBLET - 1 DOUBLET - 2

INOX
scale resistance
1380°F
Chromium 13%

Portable Heating and Cooking Wood Burning Stoves



- Stoves DOUBLET are designed for heating tents, cabin, bungalows etc. and cooking during a temporarily stay. The small weight and dimensions allow easy transportation of the stove and installation in any accessible place. It is light and compact - a gift for those who love outdoor activities.
- In addition, DOUBLET is optimally suited for use in emergency situations (wildlife, low temperatures) and is interesting for fishermen, hunters, tourist, travelers, rescuers and other people, who will need temporarily heating and cooking appliances.
- The stove is made of heat-resistant stainless steel, consisting not less than **13% of chromium content**. Thanks to this stove walls get hot quickly and quickly begin to warm the heated area. The use of this material decreases the weight and improves the efficiency of the device.
- The appliance does not contain any hazardous and toxic substances that can impair men's health or the environment.
- There are two models in the model line, DOUBLET-1 and DOUBLET-2. They differ in height and firebox volume.
- This stove is designed to burn natural wood. It is possible to temporarily burn pellets, wood and peat briquettes, charcoal.

		DOUBLET - 1	DOUBLET - 2
Dimensions in the position for transportation	Width	8.9" (225 mm)	
	Depth	12.4" (315 mm)	
	Height	13.8" (350 mm)	23" (585 mm)
Operation dimensions	Width	13.6" (345 mm)	
	Depth	12.4" (315 mm)	
	Height	19.7" (500 mm)	28.9" (733 mm)
Weight	10.6 lb. (4.8 kg)	14.3 lb (6.5 kg)	
Firebox volume	0.5 cu. ft. (13.9 l)	0.9 cu. ft. (25.9 l)	
Flue size, diameter	2.48" (63 mm)		
Flue height	3.6 ft (1.1 m)	3.6 ft (1.1 m)	
Number of flue pipes (included)	4 pcs	4 pcs	

DOUBLET SMOKER

INOX
scale resistance
1380°F
Chromium 13%

Portable Wood Burning SMOKER



- Portable wood burning smoker DOUBLET SMOKER is designed for traditional curing by smoke in open air. The grill is interesting for fishermen, hunters, tourist, travelers, and other people, who love tasty food and outdoor activities.
- Using the smoker you can quickly and easily prepare high quality and very tasty products in all conditions. Its small weight and dimensions allow easy transportation of the smoker and installation in any accessible place. It is a light and compact gift for those who love tasty food and outdoor activities.
- The smoker is made of heat-resistant stainless steel with at least 13% of chromium content. The use of this material reduces the weight and increases the efficiency of the appliance.
- The smoker's body is made as a solid-formed structure of the original design with a fixed Floor attached by spot welding.
- In the lower third part of the smoker there is a Bulkhead. Layers of sawdust or small chips are laid on the Bulkhead and produce smoke. Between the Bulkhead and the Floor there is a Firebox (combustion chamber). Flue is at the rear side.
- The top of the smoker is closed with a Cover with a fixed wood Handle. The Cover is secured to the body by two Latches. On the cover there are Hooks to hang products (chicken, duck etc.) or a cassette with a fish (vegetables, etc.).
- The smoker is packed in travel bag for carrying and cleaning purposes.
- This smoker is designed to burn natural wood. It is possible to burn pellets, wood briquettes, charcoal – but you should ensure this fuel is allowed for cooking. It is strictly forbidden to use coal as fuel.

Dimensions for transportation	Width	7.6" (194 mm)
	Depth	14.6" (370 mm)
	Height	23" (585 mm)
Operation dimensions	Width	7.6" (194 mm)
	Depth	14.6" (370 mm)
	Height	30.9" (786 mm)
Weight		20 lb. (9 kg)
Firebox volume		1 cu. ft. (28.8 l)
Flue size		2.5" (63 mm)

H & ST – 5 PICHUGA

HEATED & SAUNA'S TENT and PORTABLE CONVECTIONAL WOOD BURNING STOVE

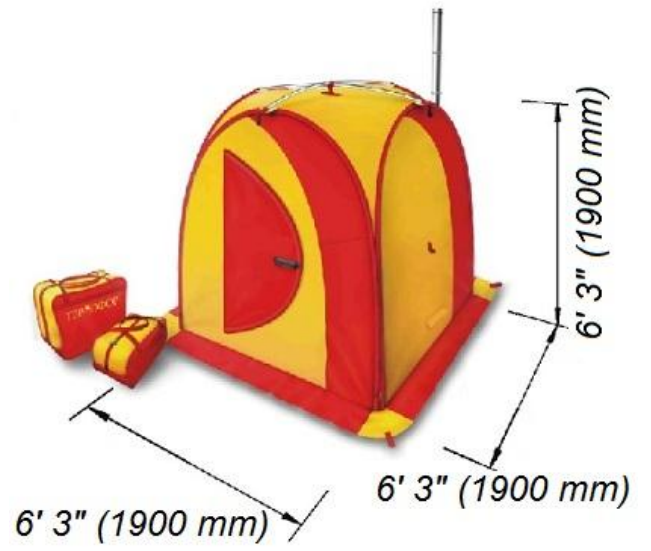
PICHUGA



INOX
scale resistance
1650°F
chromium 18%

- The Heated & Sauna's Tent and Stove and Portable Convectional Wood Burning Stove PICHUGA H&ST-5 PICHUGA is a backpack mobile heater and sauna and is designed for the collective recreations in wildlife or countryside.
- You have only to choose the place, where you like to install your tent: a bank of the river or a forest lake. Or you can go to mountains, in the wild forest, on the island and you will enjoy the hot steam, birch twigs, crystal clear snow or ice-cold water of mountain' rivers.
- These poles are light in weight, durable, easily repaired, resistant to temperatures and can withstand very low and high temperatures without changing in features.
- The sauna-tent has a unique door junction. Tent walls are made of UV resistant Lavsan polyester fiber «Oxford» 240D or of identical material. The roof is made of waterproof material "Ferrari" M2, which withstands heavy rains and direct hits of sparks from the flue, because it contains special fire-resistant components in its structure. This material meets high ecological requirements and is safe for environment.
- The stove PICHUGA was specifically designed for mobile saunas. It differs from all existing portable stoves that it is equipped with built-in spark arrestor, which catches the sparks flying from the firebox to the flue. It protects the tent roof and walls from the burning-out.
- The stove is made of valuable heat-resistant high-alloy stainless steel, consisting not less than 18% of chromium. The temperature of the scaling beginning for this steel is not less than 1650°F (900°C). The use of heat-resistant high-alloy stainless steel allows significantly reducing the weight without any losses of lifetime and increasing the efficiency of the appliance.
- Heating surfaces of the stove are covered with an External Shroud - Convection, which greatly accelerates the heating of the ambient space under formation of the powerful convectional stream.
- To arrange a sauna it is necessary to lay stones on the cooking surface. Weight of stones is a "thermal battery". Only having a thermal capacity of the stove it is possible to efficiently evaporate water and produce dry superheated steam, which we call "light steam".

Weight	42 lbs. (19 kg)
Dimensions when assembled	6'3" x 6'3" x 6'3" (1900mm x 1900mm x 1900 mm)
Stove	Portable Stove PICHUGA
Assembly time, min	17
Seating capacity, persons	3
Max Temperature, up to	+212°F (+100°C)



H & ST – 5 SHEVRON

HEATED & SAUNA'S TENT and

PORTABLE HEATING AND COOKING
PROLONGED WOOD BURNING STOVE

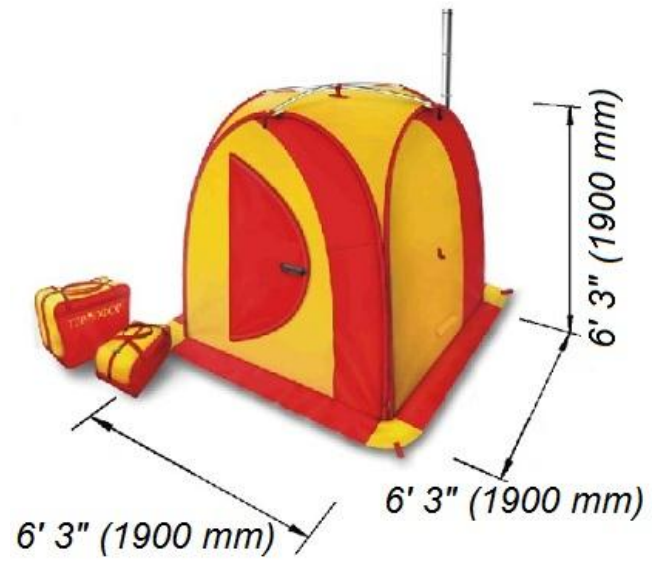
SHEVRON



INOX
scale resistance
1380°F
chromium 13%

- The Heated & Sauna's Tent and Stove and Portable Heating and Cooking Prolonged Wood Burning Stove Shevron H&ST-5 SHEVRON is a backpack mobile heater and sauna and is designed for the collective recreations in wildlife or countryside.
- You have only to choose the place, where you like to install your tent: a bank of the river or a forest lake. Or you can go to mountains, in the wild forest, on the island and you will enjoy the hot steam, birch twigs, crystal clear snow or ice-cold water of mountain' rivers.
- These poles are light in weight, durable, easily repaired, resistant to temperatures and can withstand very low and high temperatures without changing in features.
- The sauna-tent has a unique door junction. Tent walls are made of UV resistant Lavsan polyester fiber «Oxford» 240D or of identical material. The roof is made of waterproof material "Ferrari" M2, which withstands heavy rains and direct hits of sparks from the flue, because it contains special fire-resistant components in its structure. This material meets high ecological requirements and is safe for environment.
- Structurally the stove is a single firebox, divided into four zones of combustion. Air goes between hot walls of channels and is heated by them on both sides and forms hot convection streams. Streams of flame pass through each zone and this increases the area of the heating surface to 9.3 sq. ft (0.86 sq. m). It is compared to the area of a large heating stove. In the same time the exterior dimensions of the SHEVRON are tiny.
- Before getting into the flue line the flame makes two full circulations inside the stove, divides into two parallel streams and merges again. The thermal radiation from hot walls of the stove is not shielded and so it is used completely.
- The stove is made of heat-resistant high-alloy stainless steel, 0.04" (1 mm) thick, consisting not less than 13% of chromium. Thanks to this stove walls get hot quickly and quickly begin to warm the heated area. The use of this material allows significantly reduce the weight and increase the efficiency of the device.

Weight	33 lbs. (15 kg)
Dimensions when assembled	6'3" x 6'3" x 6'3" (1900mm x 1900mm x 1900 mm)
Stove	Portable Stove SHEVRON
Assembly time, min	17
Seating capacity, persons	3
Maximum Temperature, up to	+212°F (+100°C)



H & ST – 25 PICHUGA

HEATED & SAUNA'S TENT and

PORTABLE CONVECTIONAL WOOD BURNING STOVE

PICHUGA

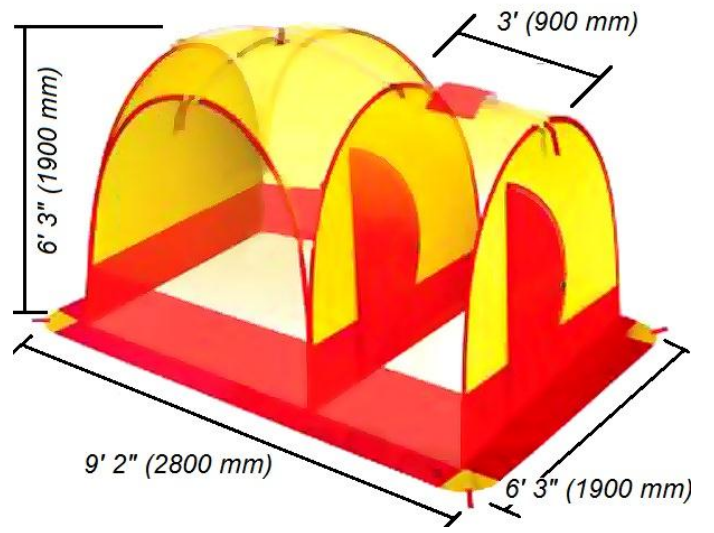


INOX
scale resistance
1650°F
chromium 18%



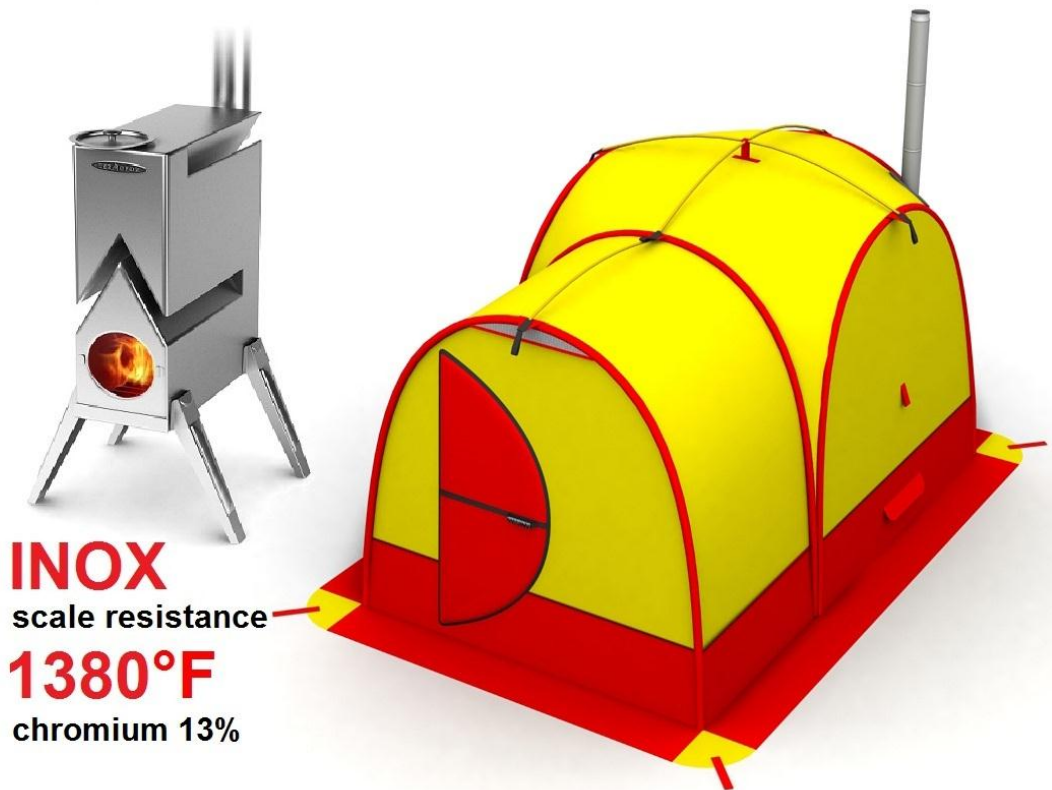
- The Heated & Sauna's Tent and Stove and Portable Convectional Wood Burning Stove Pichuga H&ST-25 PICHUGA is a backpack mobile heater and sauna and is designed for the collective recreations in wildlife or countryside.
- You have only to choose the place, where you like to install your tent: a bank of the river or a forest lake. Or you can go to mountains, in the wild forest, on the island and you will enjoy the hot steam, birch twigs, crystal clear snow or ice-cold water of mountain' rivers.
- H&ST-25 is a two-section tent, and differs from the H&ST-5 in the presence of an additional vestibule. When operating in saunas option the vestibule can be used for changing clothes.
- These poles are light in weight, durable, easily repaired, resistant to temperatures and can withstand very low and high temperatures without changing in features.
- The sauna-tent has a unique door junction. Tent walls are made of UV resistant Lavsan polyester fiber «Oxford» 240D or of identical material. The roof is made of waterproof material "Ferrari" M2, which withstands heavy rains and direct hits of sparks from the flue, because it contains special fire-resistant components in its structure. This material meets high ecological requirements and is safe for environment.
- The stove PICHUGA was specifically designed for mobile saunas. It differs from all existing portable stoves that it is equipped with built-in spark arrestor, which catches the sparks flying from the firebox to the flue. It protects the tent roof and walls from the burning-out.
- The stove is made of valuable heat-resistant high-alloy stainless steel, consisting not less than 18% of chromium. The temperature of the scaling beginning for this steel is not less than 1650°F (900°C).
- To arrange a sauna it is necessary to lay stones on the cooking surface. Weight of stones is a "thermal battery". Only having a thermal capacity of the stove it is possible to efficiently evaporate water and produce dry superheated steam, which we call "light steam".

Weight	46.3 lbs. (21 kg)
Dimensions when assembled	6'3" x 9'2" x 6'3" (1900mm x 2800mm x 1900 mm)
Stove	Portable Stove PICHUGA
Assembly time, min	20
Seating capacity, persons	4
Maximum Temperature, up to	+212°F (+100°C)



H & ST – 25 SHEVRON

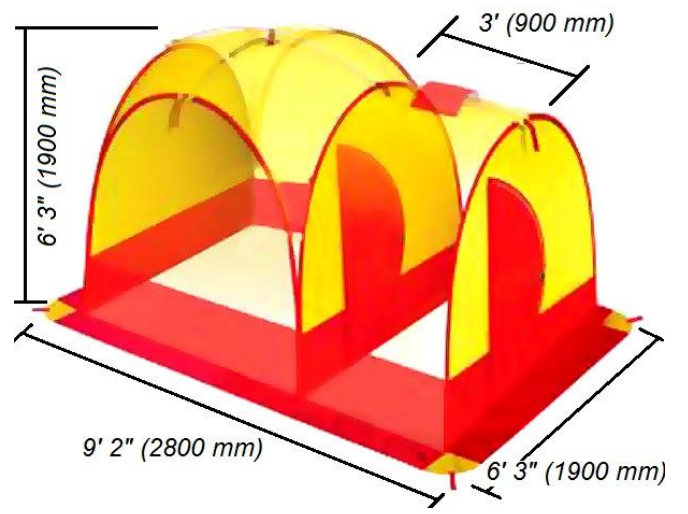
HEATED & SAUNA'S TENT and PORTABLE HEATING AND COOKING PROLONGED WOOD BURNING STOVE SHEVRON



INOX
scale resistance
1380°F
chromium 13%

- The H&ST-25 SHEVRON is a backpack mobile heater and sauna and is designed for the collective recreations in wildlife or countryside.
- You have only to choose the place, where you like to install your tent: a bank of the river or a forest lake. Or you can go to mountains, in the wild forest, on the island and you will enjoy the hot steam, birch twigs, crystal clear snow or ice-cold water of mountain' rivers.
- These poles are light in weight, durable, easily repaired, resistant to temperatures and can withstand very low and high temperatures without changing in features.
- The sauna-tent has a unique door junction. Tent walls are made of UV resistant Lavsan polyester fiber «Oxford» 240D or of identical material. The roof is made of waterproof material "Ferrari" M2, which withstands heavy rains and direct hits of sparks from the flue, because it contains special fire-resistant components in its structure. This material meets high ecological requirements and is safe for environment.
- H&ST-25 is a two-section tent, and differs from the H&ST-5 in the presence of an additional vestibule. When operating in saunas option the vestibule can be used for changing clothes.
- Structurally the stove is a single firebox, divided into four zones of combustion. Air goes between hot walls of channels and is heated by them on both sides and forms hot convection streams. Streams of flame pass through each zone and this increases the area of the heating surface to 9.3 sq. ft (0.86 sq. m). It is compared to the area of a large heating stove. In the same time the exterior dimensions of the SHEVRON are tiny.
- Before getting into the flue line the flame makes two full circulations inside the stove, divides into two parallel streams and merges again. The thermal radiation from hot walls of the stove is not shielded and so it is used completely.
- The stove is made of heat-resistant high-alloy stainless steel, 0.04" (1 mm) thick, consisting not less than 13% of chromium. Thanks to this stove walls get hot quickly and quickly begin to warm the heated area. The use of this material allows significantly reduce the weight and increase the efficiency of the device.

Weight	37.5 lbs. (17 kg)
Dimensions when assembled	6'3" x 9'2" x 6'3" (1900mm x 2800mm x 1900 mm)
Heater	Portable Stove SHEVRON
Assembly time, min	20
Seating capacity, persons	4
Maximum Temperature, up to	+212°F (+100°C)



INDIGIRKA – 2

INOX
scale resistance
1380°F
Chromium 13%

Electricity Generating Heating and Cooking Wood Burning Stove



- The portable stove INDIGIRKA-2 is designed for prolonged heating, generation of the electric power, cooking and food warming. The stove is very useful especially in emergency situations (wildlife, low temperatures, disasters etc.) and is interesting for fishermen, hunters, tourist, travelers, rescuers and other people, who will need temporarily heat and energy resources.
- During the process of heating or cooking, which are the primary purposes of the stove, it generates the direct current of 12 volts and power not less than 50 watts. The electricity generators enter stable operation mode 12 – 15 minutes after fire starts. During burning thermoelectric generators produce electricity, which is transferred to the control block and then to the external clamp outlets. The electricity could be stored in a battery.
- The thermoelectric generators supply enough energy to light 2-3 energy-efficient bulbs, charge a notebook, a cell phone, an iPod or Reader, a camera or watch a portable TV or radio. It's not very much – but in emergency situations it will allow you to use most portable devices you have used before. You may want to keep it safe in your backyard, just in case.
- The firebox is made of heat-resistant high-alloy stainless steel, 0.08” (2 mm) thick, consisting not less than 13% of chromium. Thanks to this stove walls get hot quickly and quickly begin to warm the heated area. The use of this material allows significantly reduce the weight and increase the efficiency of the device.
- Company produces two models, with or without handles at the upper part. Handles are intended for carrying purposes and for protection of expensive thermoelectric generators from the occasional strokes and falls.
- This stove is designed to burn natural wood. It is possible to burn pellets, wood and peat briquettes, and charcoal. It is strictly forbidden to use coal as a fuel.

Heated space, up to	1700 cu.ft. (50 cu.m)
Max power	13700 BTU/h (4 kW)
Exterior Dimensions Width x Depth x Height	21.3'' x 16.8'' x 25.7''
Weight	119 lb. (54 kg)
Door size (diameter)	7'' (178 mm)
Firebox volume	1.45 cu. ft. (41 l)
Fuel capacity	1 cu. ft. (30 l)
Length of logs, maximum	14'' (36 cm)
Flue size	3.15'' (80 mm)
Flue height, minimum	10 ft (3 m)
Number of flue pipes (included)	9 pcs
Area of heating surface	6.5 sq.ft. (0.6 sq.m.)
Output power and voltage	50W / 12V

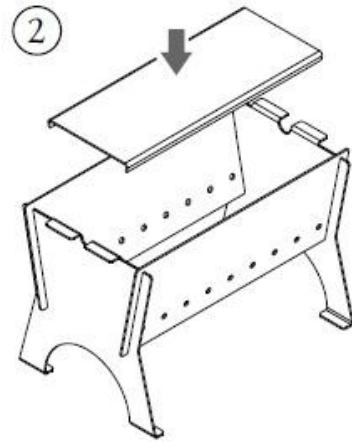
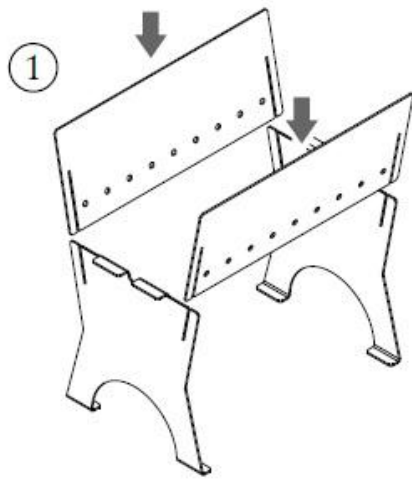
MIR TRUD MAY

Portable Outdoor Charcoal and Wood Burning GRILL



- The Portable Outdoor Charcoal and Wood Burning Grill MirTrudMay is designed for outdoor cooking over charcoal or over an open fire. The grill is interesting for fishermen, hunters, tourist, travelers, and other people, who love tasty food and outdoor activities.
- The appliance does not contain any hazardous and toxic substances that can impair men's health or the environment.
- Its small weight and dimensions allow easy transportation of the grill and one-minute-installation in any accessible place.
- The assembled grill includes two Frames, two Walls and the Floor. All parts are made of constructional steel, 0.12" (3 mm) thick.
- Thanks to this you can burn wood into charcoals directly in the grill, if you by any reasons do not have charcoal. Together with stiffening ribs this also guarantees a long life of the appliance and invariable geometry after many burns.
- The grill is packed in travel bag for carrying and cleaning purposes.

Exterior Dimensions	Width	12.1" (307 mm)
	Depth	19.3" (490 mm)
	Height	12.2" (310 mm)
Weight		21 lb. (9.4 kg)



Two-steps

order.

assembly

NORMAL-1 TEG

Electricity Generating Heating and Cooking Wood Burning Stove



- The stove NORMAL-1 TEG is designed for economical heating, generation of the electric power, cooking and food warming. The stove is very useful especially in emergency situations (wildlife, low temperatures, disasters etc.) and is interesting for fishermen, hunters, tourist, travelers, rescuers and other people, who will need temporarily heat and energy resources.
- During the process of heating or cooking, which are the primary purposes of the stove, it generates the direct current of 12 volts and power not less than 50 watts. The electricity generators enter stable operation mode 12 – 15 minutes after fire starts. During burning thermoelectric generators produce electricity, which is transferred to the control block and then to the external clamp outlets. The electricity could be stored in a battery.
- The thermoelectric generators supply enough energy to light 2-3 energy-efficient bulbs, charge a notebook, a cell phone, an iPod or Reader, a camera or watch a portable TV or radio. It's not very much – but in emergency situations it will allow you to use most portable devices you have used before. You may want to keep it safe in your backyard, just in case.
- The firebox is made of construction steel, 0.12" (3 mm) thick.
- Side walls of the stove are covered by convection panels, which greatly accelerate the heating of the ambient space under formation of the powerful convectional stream. Convection panels reflect a hard infrared radiation from hot walls of the firebox, what creates a very soft convectional heating and greatly increases the safety while operating.
- Company produces two models, with or without handles at the upper part. Handles are intended for carrying purposes and for protection of expensive thermoelectric generators from the occasional strokes and falls.
- This stove is designed to burn natural wood. It is possible to burn pellets, wood and peat briquettes, and charcoal. It is strictly forbidden to use coal as a fuel.

Heated space, up to	3550 cu.ft. (100 cu.m)
Max power	20500 BTU/h (6 kW)
Exterior Dimensions Width x Depth x Height	26.4" x 22.5" x 19.7"
Weight	112.4 lb. (51 kg)
Door size (diameter)	10.6" (270 mm)
Firebox volume	2.1 cu. ft. (60 l)
Fuel capacity	0.9 cu. ft. (25 l)
Flue size	4.72" (120 mm)
Flue height, minimum	16.4 ft (5 m)
Area of stove's heating surface	11.8 sq.ft. (1.1 sq.m.)
Output power / voltage	50W / 12V

SHEVRON

INOX
scale resistance
1380°F
Chromium 13%

Portable Heating and Cooking Prolonged Wood Burning Stoves



- This powerful portable stove SHEVRON is designed for prolonged heating of cabin, bungalows etc. up to 1750 cu.ft. (50 cu.m) and for cooking during the temporarily stay. The small weight and dimensions allow easy transportation of the stove and installation in any accessible place. It is light, compact and the best present for those who love outdoor activities.
- In addition, SHEVRON is very useful especially in emergency situations (wildlife, low temperatures, disasters) and is interesting for fishermen, hunters, tourist, travelers, rescuers, disasters victims and other people, who will need temporarily heating and cooking appliances.
- Structurally the stove is a single firebox, divided into four zones of combustion. Air goes between hot walls of channels and is heated by them on both sides and forms hot convection streams.
- Streams of flame pass through each zone and this increases the area of the heating surface to 9.3 sq. ft (0.86 sq. m). It is compared to the area of a large heating stove. In the same time the exterior dimensions of the SHEVRON are tiny.
- Before getting into the flue line the flame makes two full circulations inside the stove, divides into two parallel streams and merges again. The thermal radiation from hot walls of the stove is not shielded and so it is used completely.
- The stove is made of heat-resistant high-alloy stainless steel, 0.04" (1 mm) thick, consisting not less than 13% of chromium. Thanks to this stove walls get hot quickly and quickly begin to warm the heated area. The use of this material allows significantly reduce the weight and increase the efficiency of the device.
- This stove is designed to burn natural wood. It is possible burn pellets, peat and wood briquettes, charcoal. It is strictly forbidden to use coal as a fuel.

Heated space, up to	1750 cu.ft. (50 cu.m)
Max power	10,200 BTU/h (3 kW)
Dimensions (assembled) Width x Depth x Height	12.8" x 13.8" x 24.3"
Weight	19 lb. (8.6 kg)
Firebox door size (diameter)	4.5" (115 mm)
Firebox volume	0.32 cu. ft. (9 l)
Flue size	2.48" (63 mm)
Flue pipe height (each)	1 ft (0.3 m)
Number of flue pipes (included)	4 pcs
Area of stove's heating surfaces, total	9.3 sq.ft. (0.86 sq.m)

Contact Us:

Siberian Stoves Termofor

Mr. Vladimir Popkov

Tel/fax 347 – 531 – 0042

E-mail: vladpvm@gmail.com (preffered)

WWW.TERMOFOR.COM

Electricity Generating



CINDERELLA TEG (25W)



INDIGIRKA-2 (50W)



NORMAL-1 TEG (50W)

Portable wood burning stoves



SHEVRON



PICHUGA



AVOSKA
INOX



AVOSKA
INOX VAN



CINDERELLA



DOUBLET
SMOKER



DOUBLET-1



DOUBLET-2



H&ST-5
HEATED & SAUNA'S TENT



H&ST-25
HEATED & SAUNA'S TENT